

Heavyduty Type Pneumatic Score Knifeholder MT-A510

MT-A510 provides crush slitting solution which maximize your performance and minimize your costs. It offers a flexible solution for thicker material such as rubber, sandpaper, roofing shingles, fiberglass, paper and plastic film, especially like multi-layer compound material as well like tissue, non-woven and adhesive tapes. The patent design with rigid knife-holder has provided reliable down force to perform slitting work and ensure slitting good quality for different purpose application. Combined with self-flow control and new depth adjustment, we develop an easy solution to prevent over air flow damaged blade when downward and micro depth knob providing accuracy of up to 0.05mm down stroke control for your operator.

» Feature

- Min slitting width 36mm
- Self flow control
- Micro depth adjustment
- High rigidity knifeholder
- Patent structure

» Specification

- Min. slitting width : 36mm
- Max. slitting speed : 500M/min (1)
- Down stroke range : 0~25mm
- Max. air pressure : 6kg/cm²
- Blade dia. : ø150mm
- Guide-bar : GB01/GB02/GB04

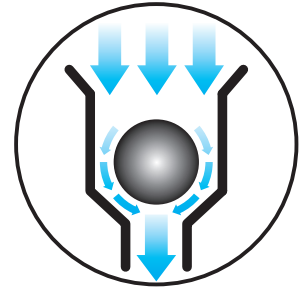
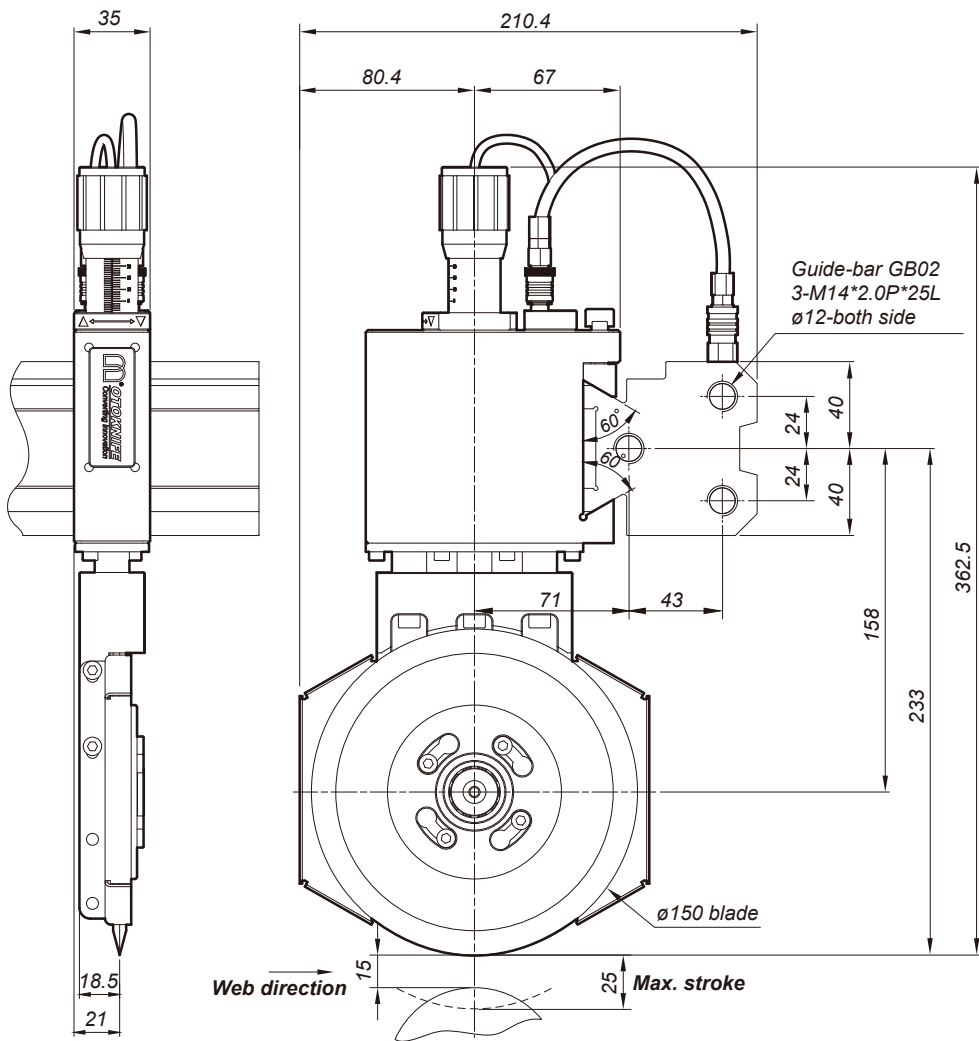
(1) Max slitting speed depends on different material and the condition will be changed.



MT-A510

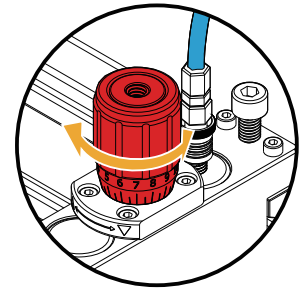
MOTOKNIFE

MT-A510 Dimension drawing



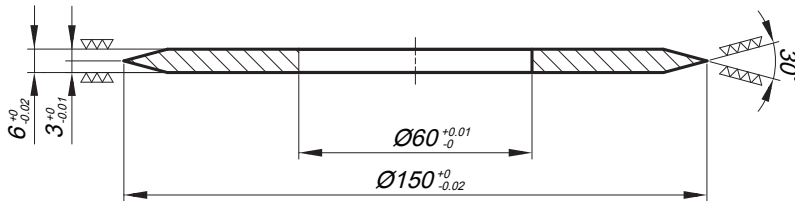
Internal air flow control

Patent design with internal air flow control, you can directly connect air source without air throttle valve and never worry too much air flow to damage blade!!



Depth adjust

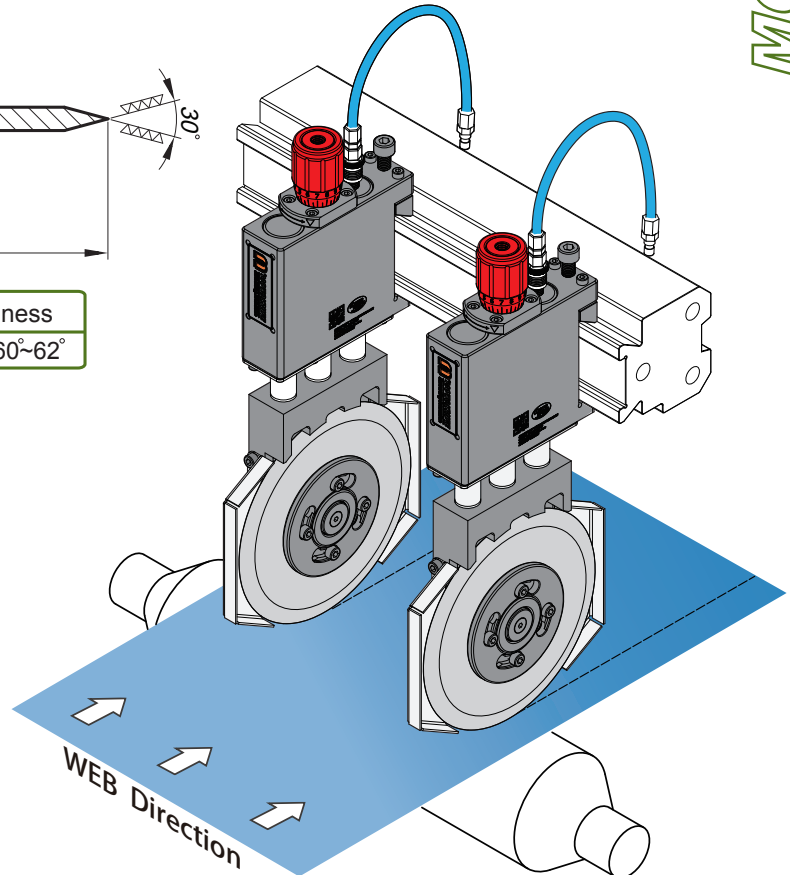
Using depth adjust screw can easily control down stroke overlap distance between top and bottom blade, it is helpful for overlap compensation when blade wear.



Product code	Material	Hardness
BS-K-150-060-060-D30	SKD-11	HRC60~62°

Slitting Products Available:

Various Papers	kraft paper, silicone paper, releasing paper, decoration wall paper, masking paper, adhesive paper, thick paper board, corrugated carton paper, sand paper.
Various Plastic films	flexible laminated films, soft & rigid PVC films, BOPP, PET, PE, PS, LDPE, PLA, SBS, various adhesive tape...etc.
Cloth & fabrics	non-woven cloth, synthetic leather, natural cotton, mesh cloth, medical cloth, label cloth...etc.
Foams	PSP foams, PE foams..etc.
Rubbers	Magnetic rubbers, rubber sheets..etc.



MT-A510

MOTOKNIFE



MOTO, TAIWAN
32652 No.65 Lane 155, Xinjiang Rd.,
Yangmei District, Taoyuan City, Taiwan
TEL:+886-3-4753005
FAX:+886-3-4754797
E-mail:service@motoknife.com
http://www.motoknife.com

MOTO, CHINA
No.8 Zhang Jia Road, Huang Du Town,
JiaDing Area, Shanghai, China
TEL:+86-21-69596169
FAX:+86-21-69596163
E-mail:motokvin@126.com

