

Non-Cut through Type

Pneumatic Score Knifeholder

MT-A310H

MT-A310H is your ideal half-cut knife-holder choice for heavy material. Thanks to its robust design, it guarantees a steady slitting down force than MT-A310 knife-holder in heavier and thicker material range of its versatility. With its depth adjustment of 14mm stroke and precision blade roundness of up to $\pm 0.005\text{mm}$, it adapts to slit only the upper layer cut off/non-cut through at lower layer and also reduce blade wear out for lifetime extending.

The MT-A310H is ideally suited to a wide range of heavier material applications like medical adhesive tapes, foam tapes and protection film.

» Feature

- Min slitting width 30mm
- Precision depth adjustment
- Half cut effect
- High rigidity knifeholder
- Equip high precision blade
- Blade life time extend

» Specification

- Min. slitting width : 30mm
- Max. slitting speed : 100M/min (1)
- Down stroke range : 0~14mm
- Max. air pressure : 6kg/cm²
- Blade dia. : $\varnothing 76.2\text{mm}$
- Guide-bar : GB01/GB02/GB04

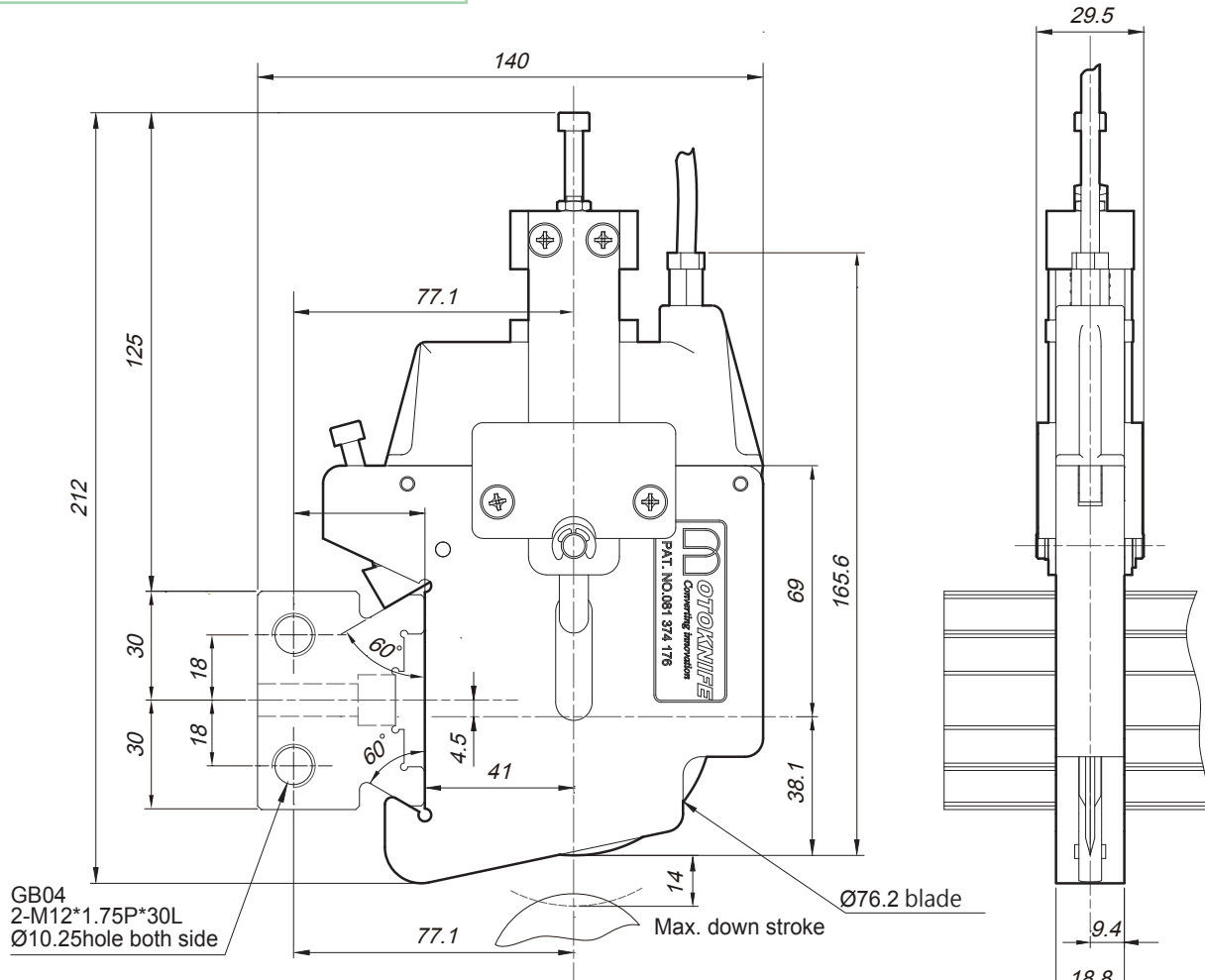
(1) Max slitting speed depends on different material and the condition will be changed.



MT-A310H

MOTOKNIFE

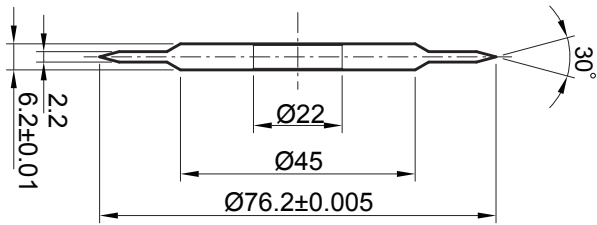
MT-A310H Dimension drawing



GB04
2-M12*1.75P*30L
Ø10.25hole both side

Ø76.2 blade

Max. down stroke



Product code	Material	Hardness
BP-K-076-022-062-D30	SKD-11	HRC60~62°

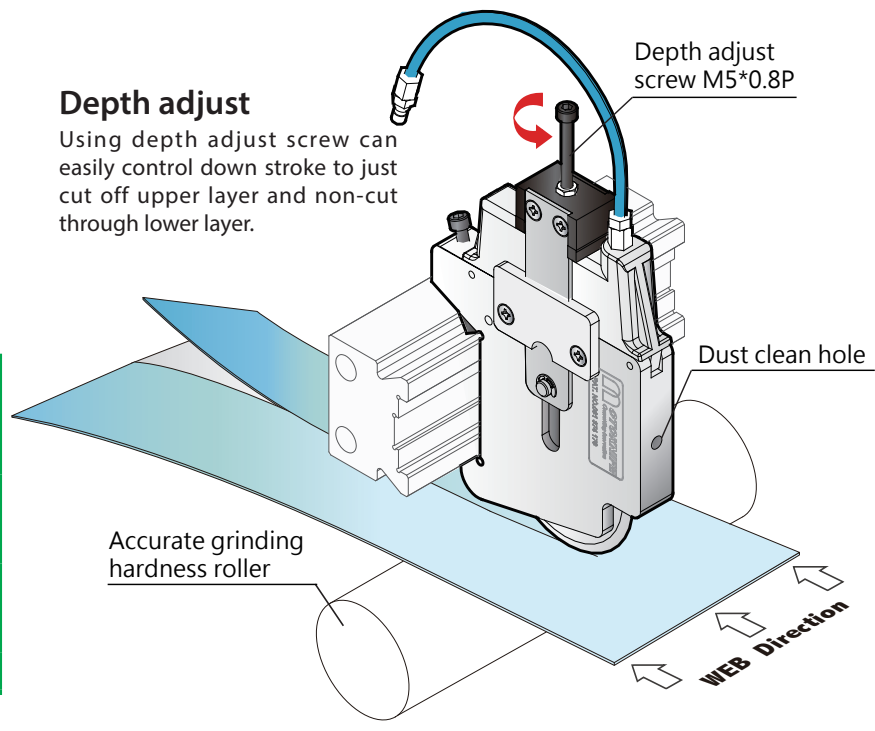
Depth adjust

Using depth adjust screw can easily control down stroke to just cut off upper layer and non-cut through lower layer.



Slitting Products Available:

Various Papers	kraft paper, silicone paper, releasing paper, decoration wall paper, masking paper, adhesive paper, thick paper board, corrugated carton paper, sand paper.
Various Plastic films	flexible laminated films, soft & rigid PVC films, BOPP, PET, PE, PS, LDPE, PLA, SBS, various adhesive tape...etc.
Cloth & fabrics	non-woven cloth, synthetic leather, natural cotton, mesh cloth, medical cloth, label cloth...etc.
Foams	PSP foams, PE foams...etc.



MOTOKNIFE MT-A310H



MOTO, TAIWAN
32652 No.65 Lane 155, Xinjiang Rd.,
Yangmei District, Taoyuan City, Taiwan
TEL:+886-3-4753005
FAX:+886-3-4754797
E-mail:service@motoknife.com
http://www.motoknife.com

MOTO, CHINA
No.8 Zhang Jia Road, Huang Du Town,
JiaDing Area, Shanghai, China
TEL:+86-21-69596169
FAX:+86-21-69596163
E-mail:motokevin@126.com

