

# Non-Cut through Type

## Pneumatic Score Knifeholder

# MT-A310

**MT-A310** is our first non-cut through knife-holder with depth stroke control and precision blade. It masters the handling of multilayer material half cut application precisely and easily. With depth adjustment of 14mm stroke and precision blade roundness of up to  $\pm 0.005\text{mm}$ , it performs well in only the upper layer cut off/non-cut through at lower layer and can also reduce blade wear out for lifetime extending.

MT-A310 is available in numerous variations that you can flexibly match to your application. Its versatility makes it suitable for medical adhesive tapes, foam tapes and protection film wide range of applications.

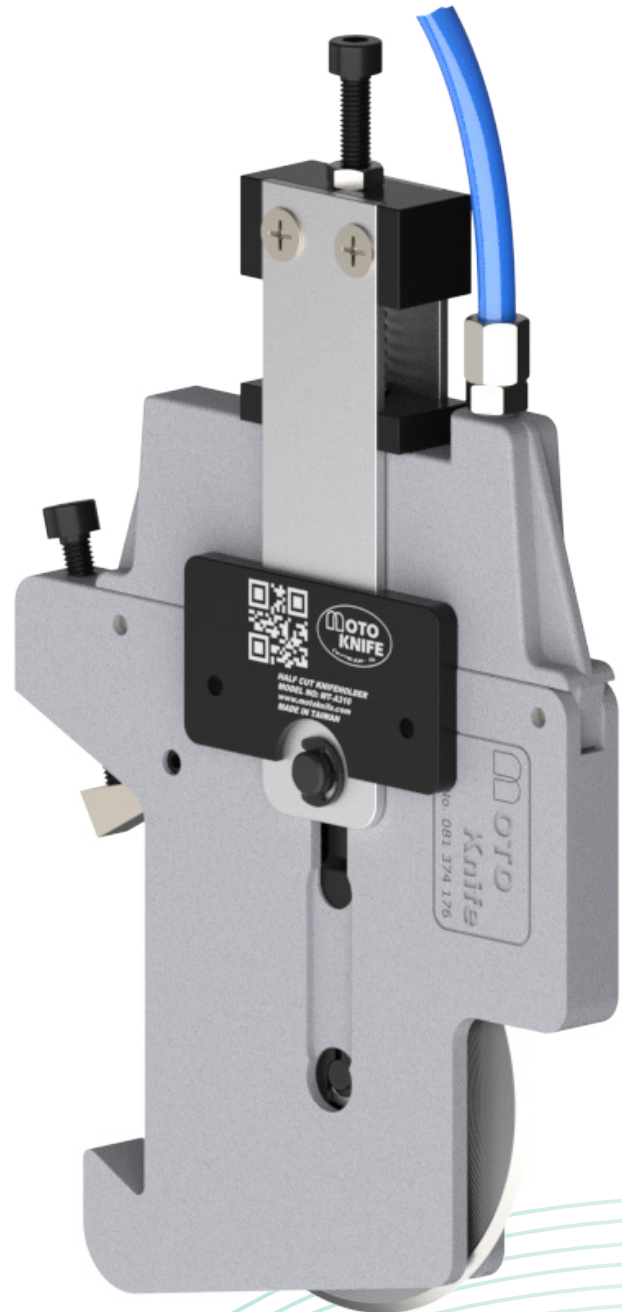
### » Feature

- Min slitting width 23mm
- Precision depth adjustment
- Half cut effect
- Equip high precision blade
- Blade life time extend

### » Specification

- Min. slitting width : 23mm
- Max. slitting speed : 100M/min (1)
- Down stroke range : 0~14mm
- Max. air pressure : 6kg/cm<sup>2</sup>
- Blade dia. :  $\varnothing 76.2\text{mm}$
- Guide-bar : GB01/GB02/GB04

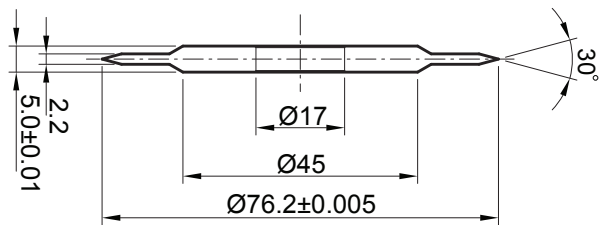
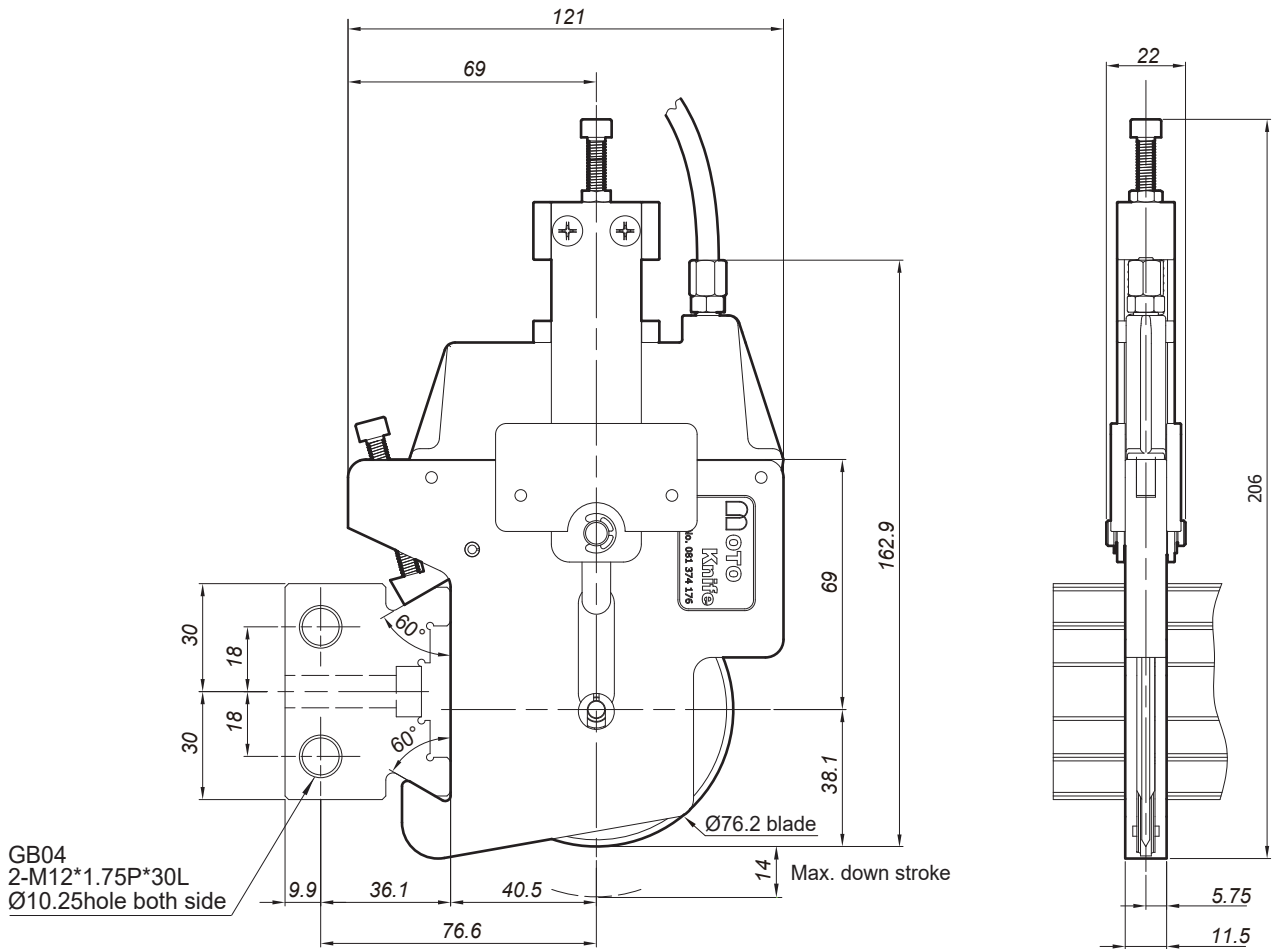
(1) Max slitting speed depends on different material and the condition will be changed.



MT-A310

MOTOKNIFE

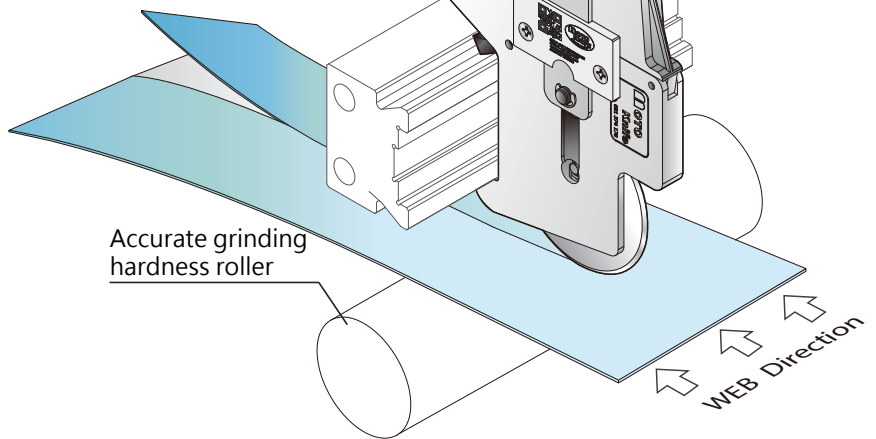
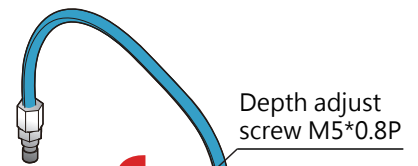
# MT-A310 Dimension drawing



Product code	Material	Hardness
BP-K-076-017-050-D30	SKD-11	HRC60°~62°

## Depth adjust

Using depth adjust screw can easily control down stroke to just cut off upper layer and non-cut through lower layer.



## Slitting Products Available:

Various Papers	kraft paper, silicone paper, releasing paper, decoration wall paper, masking paper, adhesive paper, thick paper board, corrugated carton paper, sand paper.
Various Plastic films	flexible laminated films, soft & rigid PVC films, BOPP, PET, PE, PS, LDPE, PLA, SBS, various adhesive tape...etc.
Cloth & fabrics	non-woven cloth, synthetic leather, natural cotton, mesh cloth, medical cloth, label cloth...etc.
Foams	PSP foams, PE foams...etc.

MT-A310

MOTOKNIFE



MOTO, TAIWAN  
32652 No.65 Lane 155, Xinjiang Rd.,  
Yangmei District, Taoyuan City, Taiwan  
TEL: +886-3-4753005  
FAX: +886-3-4754797  
E-mail: service@motoknife.com  
http://www.motoknife.com

MOTO, CHINA  
No.8 Zhang Jia Road, Huang Du Town,  
JiaDing Area, Shanghai, China  
TEL: +86-21-69596169  
FAX: +86-21-69596163  
E-mail: motokevin@126.com

